



Installation Guide

Wooden deck
on pedestals





WOODEN DECK ON PEDESTALS

Summary

TOOLS, MATERIALS AND ACCESSORIES

P. 1 - P. 2

REQUIREMENTS

P. 3

Create a terrace plan

Define the type of joist

PREPARE THE GROUND

P. 4-5

REALIZE THE LAYING

P. 6 - P. 8

Dispose the pedestals

Place the joists

Installation of the flooring

FINISHING AND MAINTENANCE

P. 9

Side finishing

Maintenance and cleaning



Install a wooden deck on pedestals

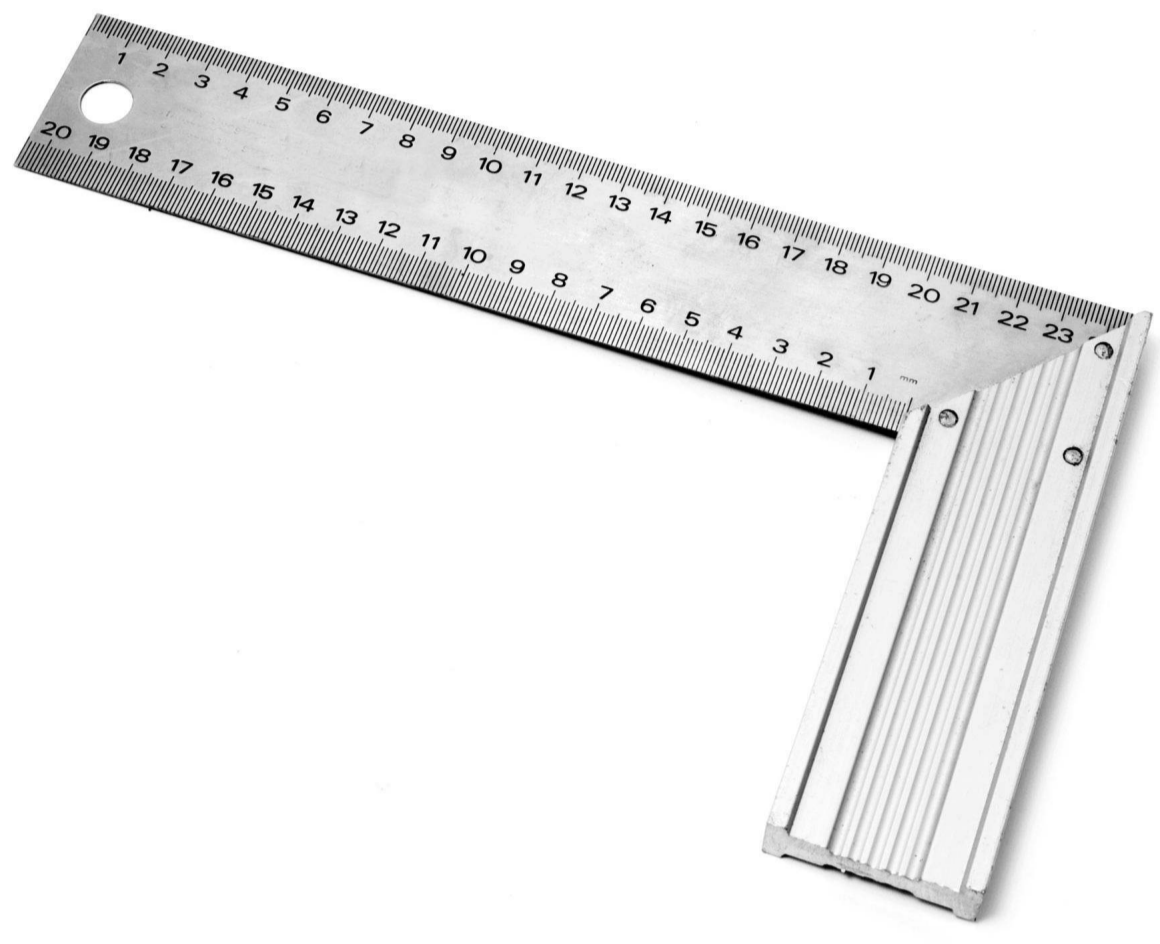
This installation guide explain from A to Z how to install your wooden deck on pedestals. Find the list of necessary tools as well as all the installation steps...

Take advantage of professional tips and advice to easily build your patio !

Thanks to the assembly guide, installing your patio on pedestals becomes child's play !

Tools Needed

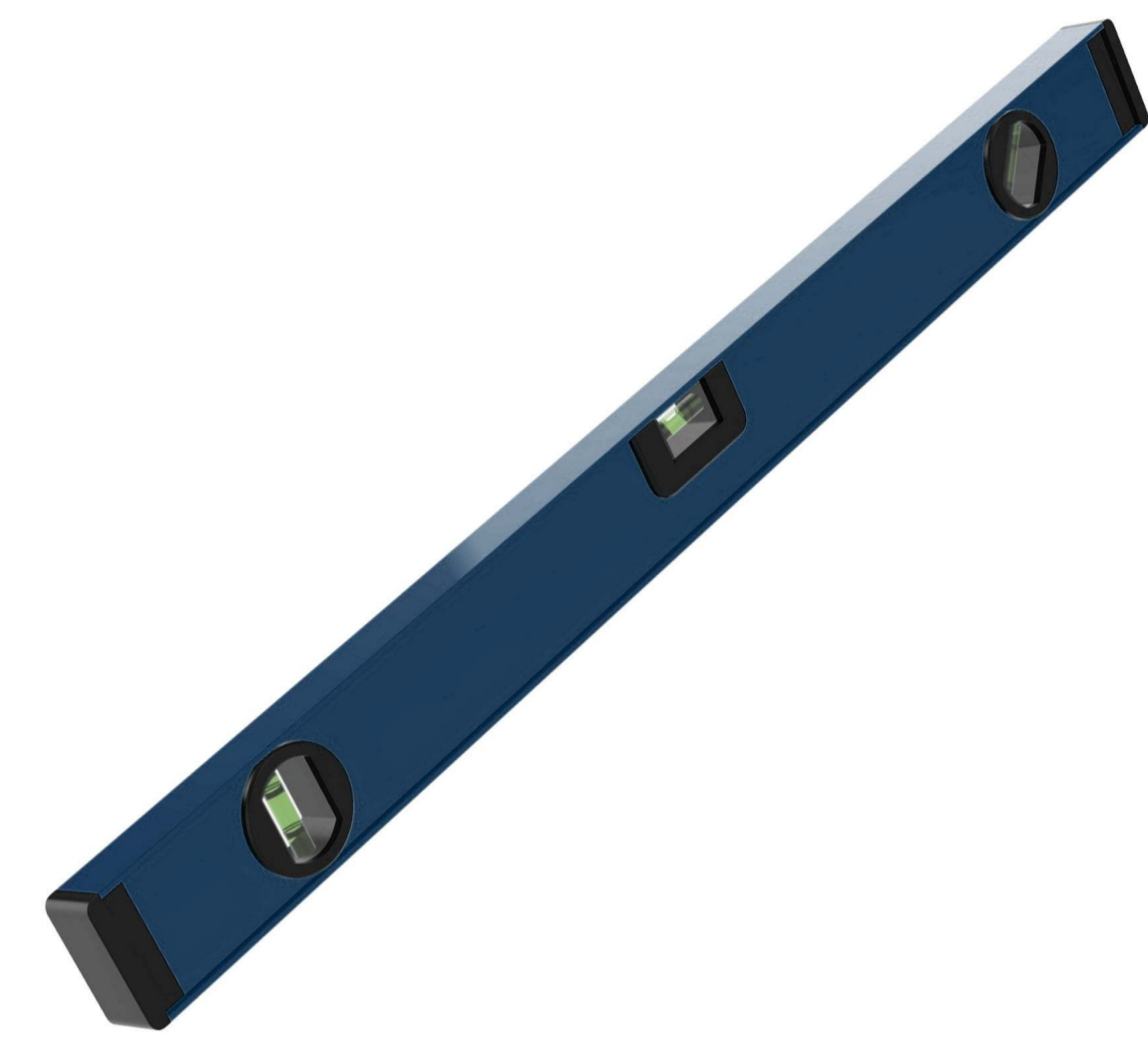
Before starting your work, make sure you are well equipped !



Square



Meter



Spirit level



Screwdriver drill



Jigsaw



Hammer



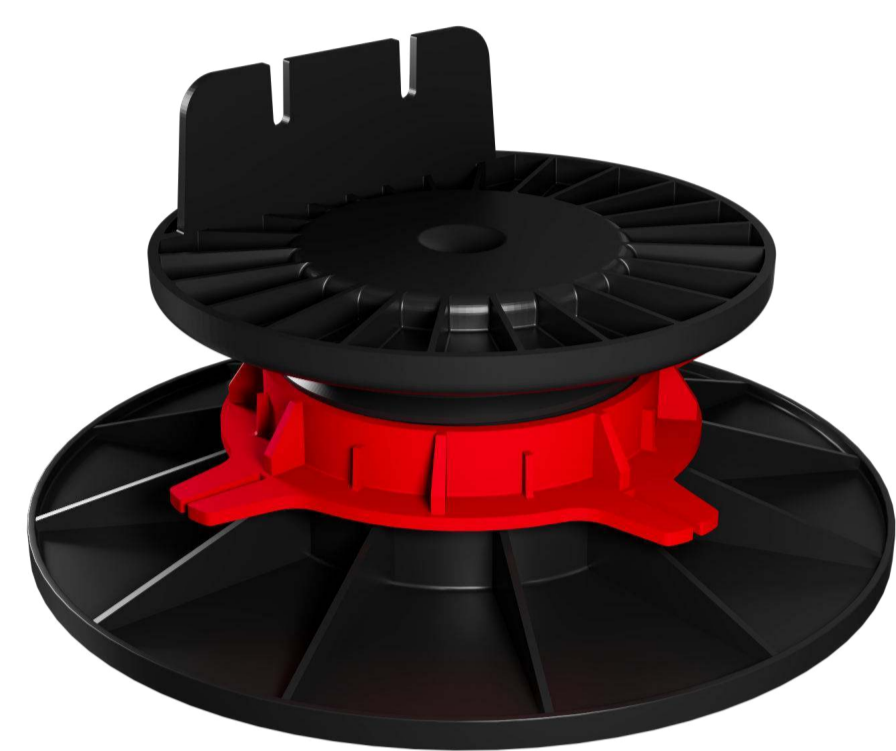
Large ruler



Chalk line

Materials & accessoires

Take the list of requirements for a proper completion



Decking pedestal



Joists (wood or aluminium)



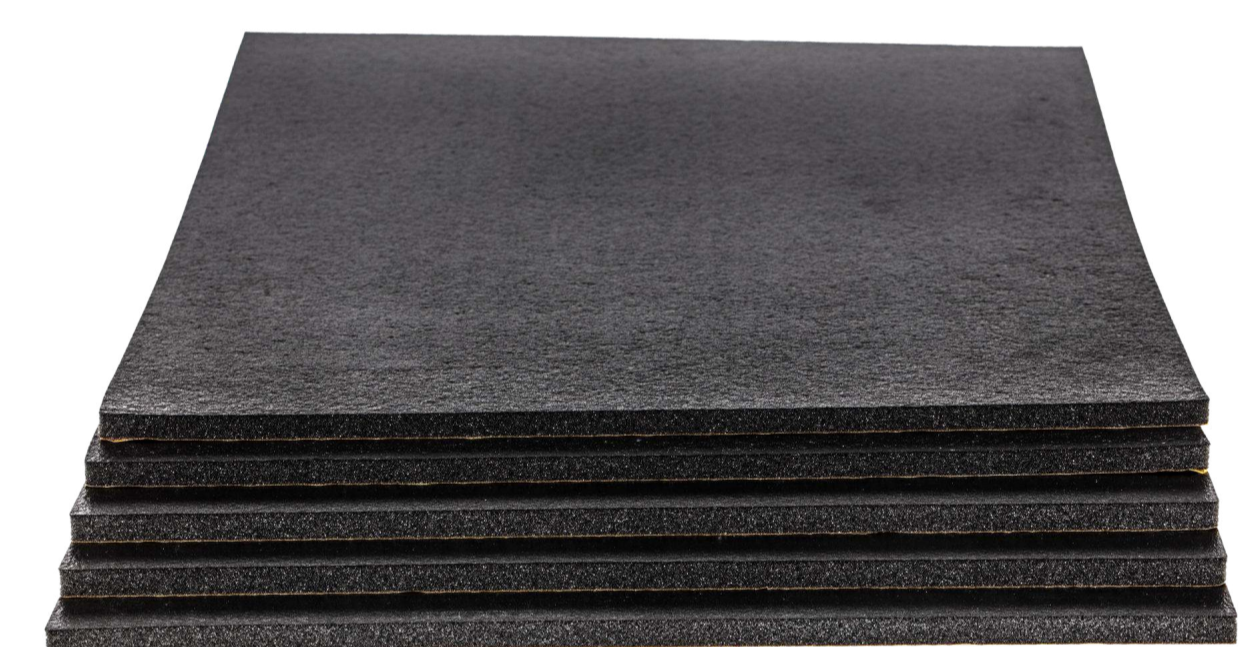
Decking boards



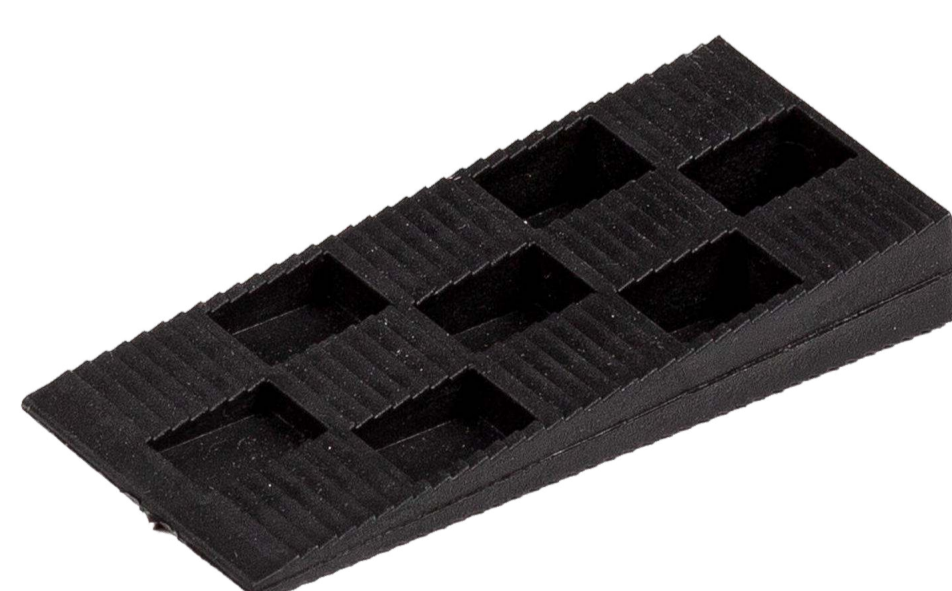
Geotextile felt



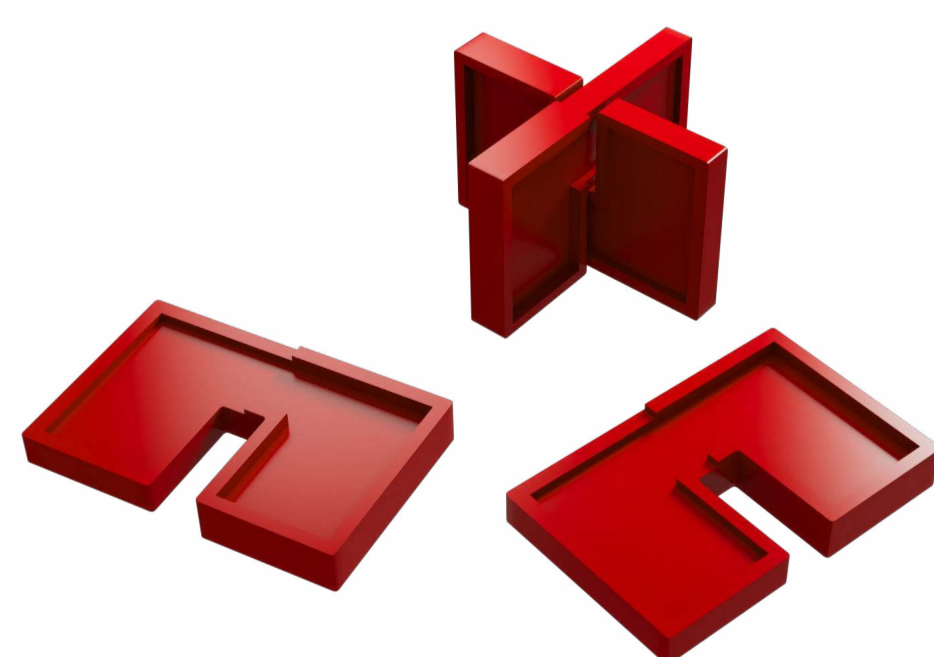
Bituminous tape



Isolation buffers



Notched wedges



Blade spacer



Wood screws

1. Create a terrace plan

The realization of the plan of your terrace consists in precisely defining the shape and dimensions of your installation. Thus, you will be able to define the quantity of products and materials you will need for your wooden deck.

Tip : make a plan to scale, define the area and what you want to put on it. To carry out the layout of your terrace, take into account the shape of the house as well as the heights available at the thresholds of doors and bay windows. Thus, you will be able to define the quantity and size of the pedestals to use.

2. Define the type of joists

There are 4 types of joists : single, cross, double and double cross. To help you see more clearly, find below the diagrams of the various methods.

Simple



Made up of a single bed of joists placed parallel to each other.

Cross



Made up of a 1st bed of joists on which a 2nd bed of joists is fixed.

Double



It is possible to double the joists at the junction points of the board ends.

Double cross



Combinaison of cross and double joists for more robust decking.

1. Installation on concrete slab or existing terrace

In this case, the installation on a pedestal does not require any additional preparation since the reception surface of the terrace is already stable and level. Go directly to the installation of the pedestals !

2. Laying on raw ground

In the cas of installation on raw ground, it's a question of obtaining a stable and loose surface. Thus, you will need to carry out the following preparation steps :

Step 1

Define the shape of the terrace and dig 15 cm deep ;



Step 2

Add geotextile to prevent weed growth ;



Step 3

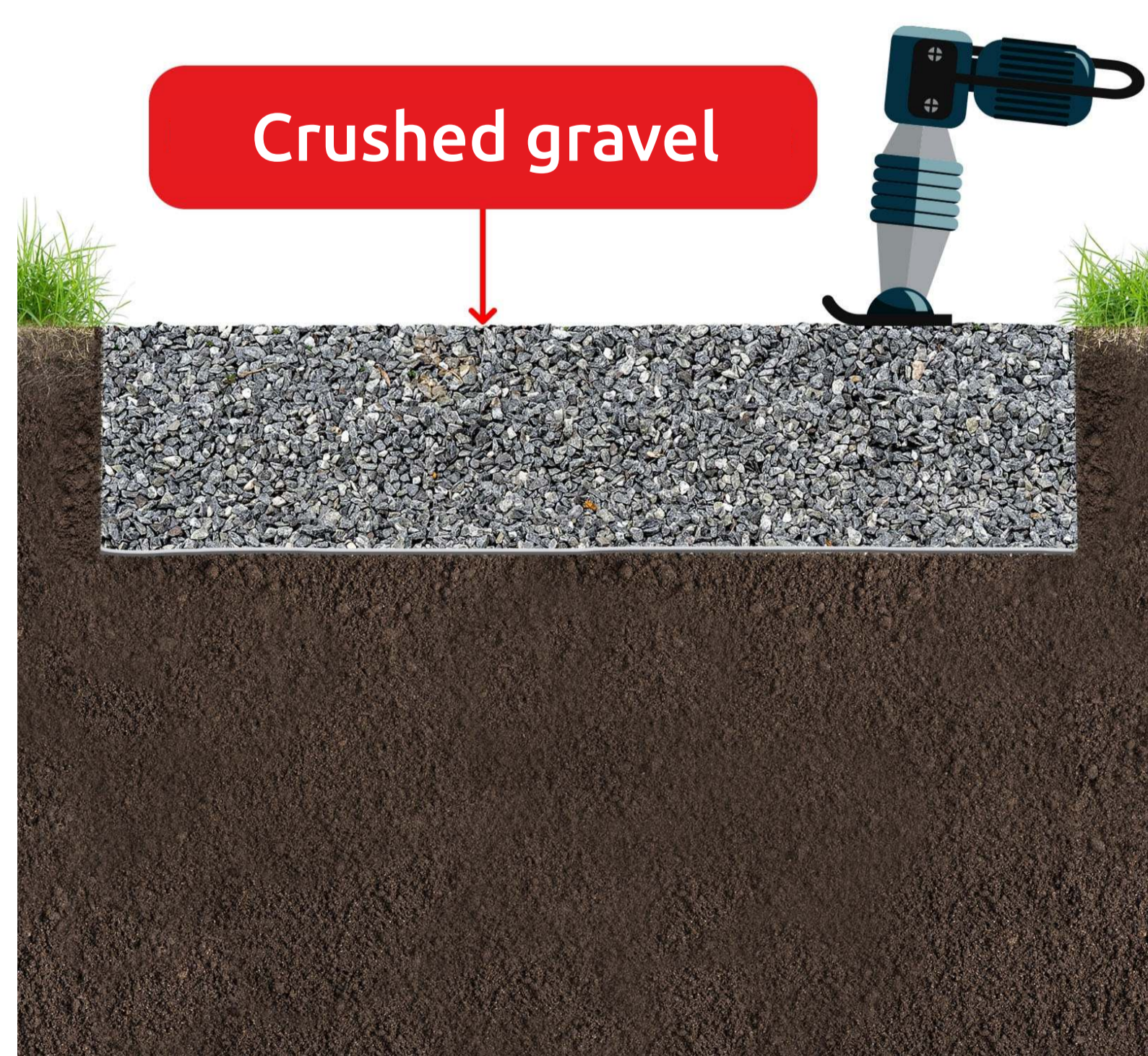
Cover with crushed gravel : grain size 0/60 mm by 10 cm and 0/4 mm by 5 cm ;



Step 4

Compact everything to obtain a flat and loose surface ;

Make sure to maintain a slight slope (1,5%) to allow good drainage of rainwater.



Step 5

Check the flatness of the surface using a spirit level

Quantity of pedestals /sqm

■ WOODEN & COMPOSITE TERRACES

Information : The calculation table is approximate and based on a square or rectangular deck and a straight installation.

DECKING PEDESTALS			Ground surface						
Blades Type	Type of pose		20 sqm	40 sqm	60 sqm	80 sqm	100 sqm	200 sqm	1000 sqm
			Number of pedestals / sqm						
Wooden Blades	Joists center distance	50 cm : 1 p edestal / 70 cm	4.1	3.9	3.7	3.5	3.4	3.2	3
	Joists center distance	50 cm : 1 p edestal / 50 cm	5	4.7	4.6	4.5	4.4	4.3	4.1
Composite Blades	Joists center distance	40 cm : 1 p edestal / 70 cm	4.6	4.6	4.4	4.2	4.1	3.9	3.8
	Joists center distance	40 cm : 1 p edestal / 50 cm	6.1	5.8	5.6	5.5	5.5	5.3	5.2

INFORMATION

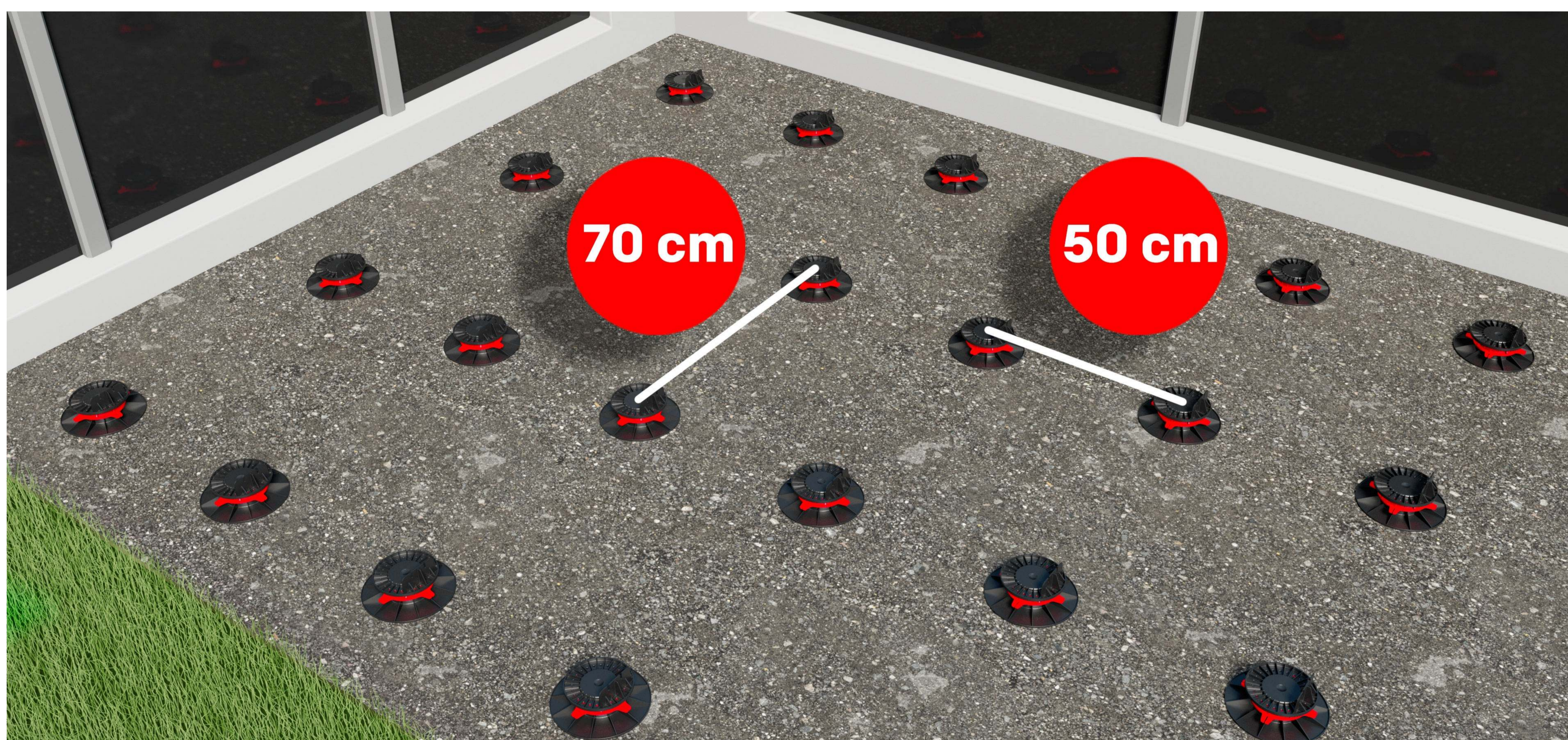
The structure of the terrace on pedestals must be made only from wooden or aluminum joists. Never use composite joists.

1. Arrange the pedestals and adjust the height

The spacing between the joists called « center distance » must be equal to 50 cm. The space between each pedestal along the length of the joist should measure between 50 and 70 cm.

Step 1

Arrange the pedestals on the ground, respecting the necessary spacings between each pedestal ;



Tip : to perform this step easily, draw a line every 50 cm using your chalk line to define the location of the joists. Then, place your pedestals at equal distances every 70 cm.

Step 2

Adjust the height by turning the red nut clockwise. The adjustment is made to the nearest millimeter.



2. Install and set the joists

Place the joists of the structure on the pedestals perpendicularly then proceed with screwing in the tab provided for this purpose.

Tip : the use of bituminous tape for wooden joists allows a perfect waterproofing of the structure as well as a reduction of resonances when moving on the surface of the terrace.

Step 1

Place the joists against the tab located on the head of the pedestals ;



Step 2

Screw the joists into the pedestals through the tab ;



Step 3

Apply the protective tape along the length of the joists ;



Step 4

Cover the edges of the joist with the protective tape.



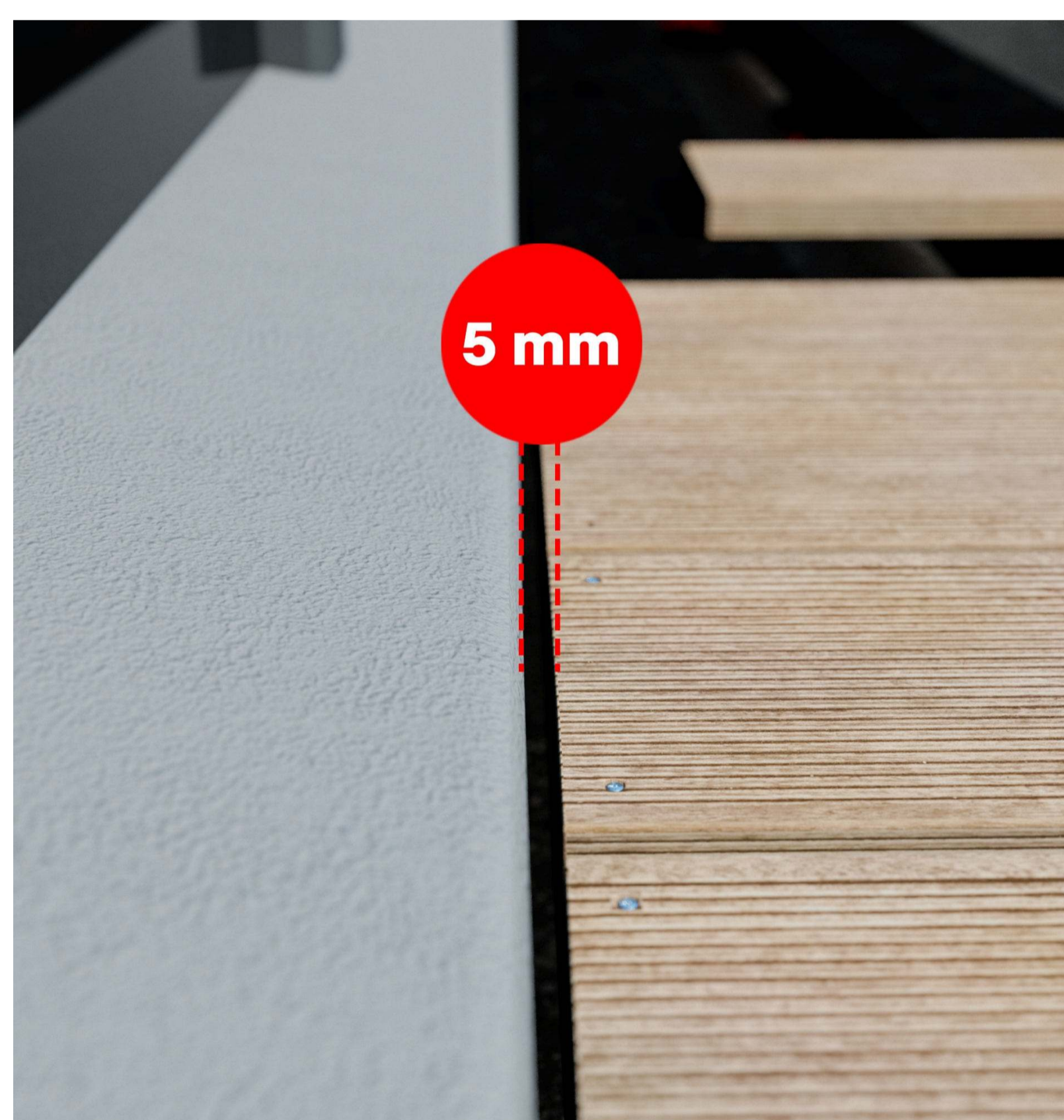
3. Laying the flooring in decking boards

Tip : before laying the covering, pre-drill and mill your wooden boards to facilitate screwing and obtain an aesthetic result. Use a drill so that the screw head comes up to the level of the coating without protruding. Mandatory step for exotic blades.

Use A2 stainless steel double-threaded screws : 5x50 for exotic woods 19 to 21 mm thick and 5x60 for soft woods 22 to 28 mm thick. For a seaside installation, use A4 stainless steel screws because their corrosion resistance is high.

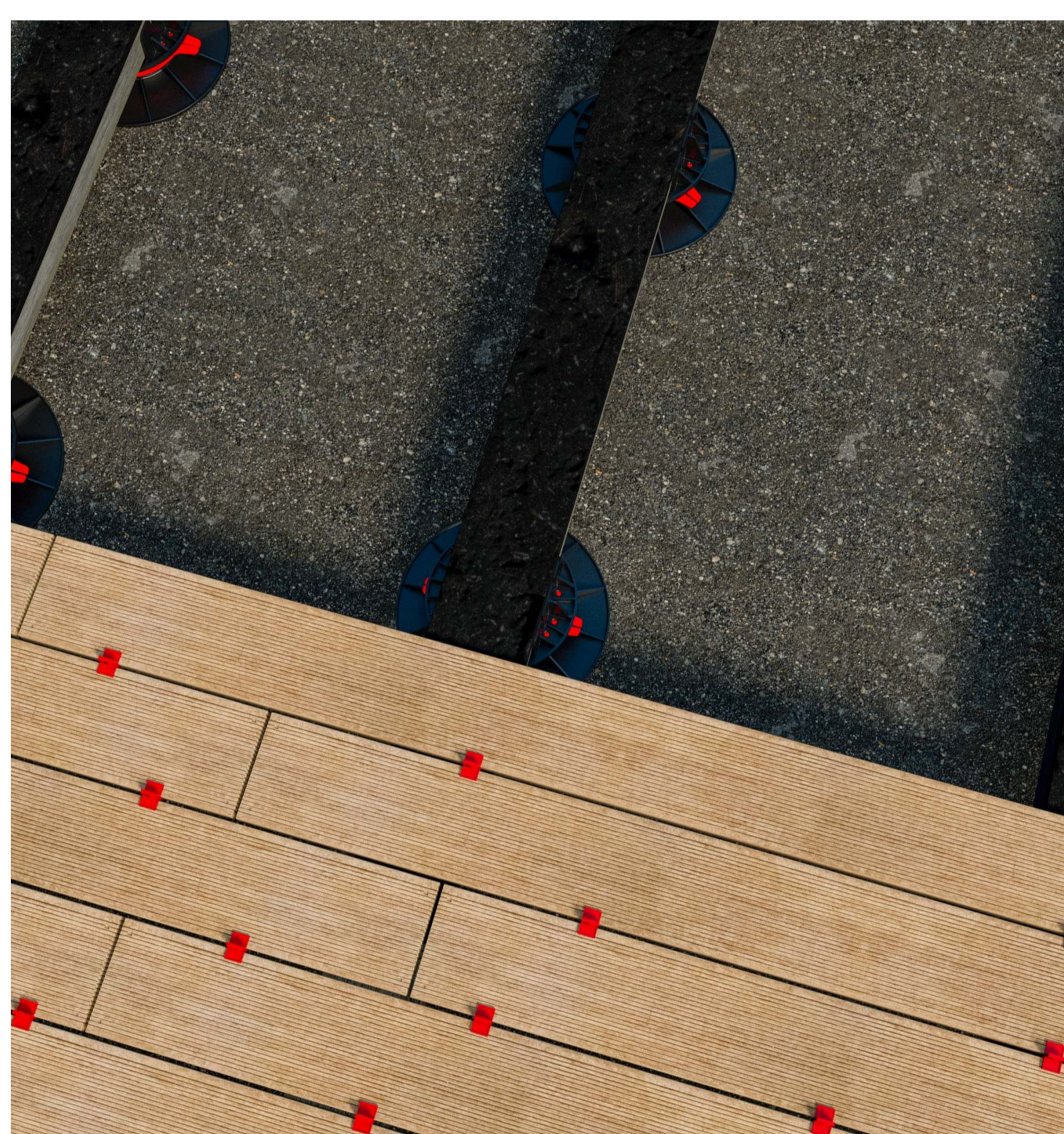
Step 1

Start against a wall and shift 5 mm to get the expansion joint

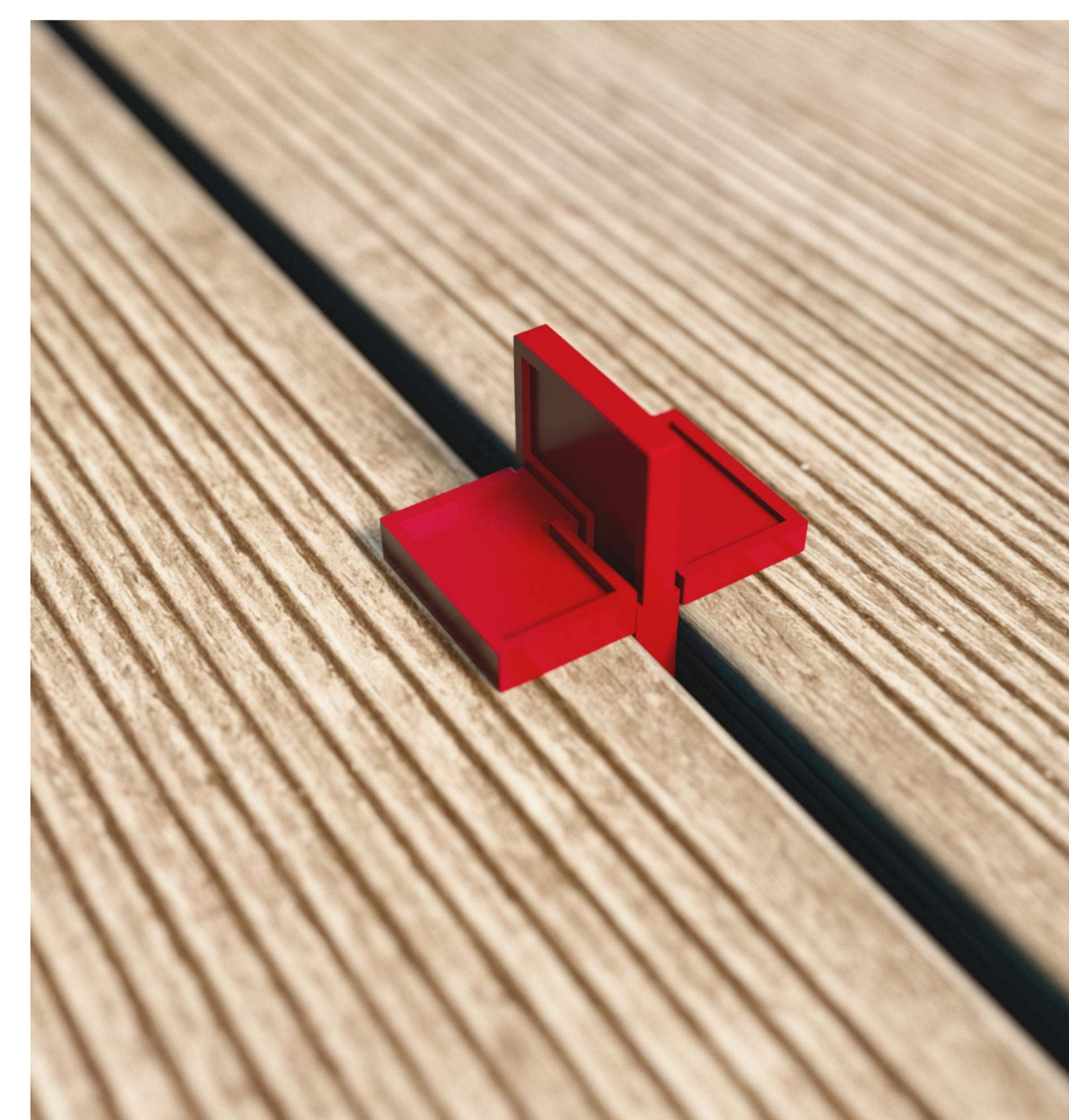


Step 2

Place the boards perpendicular to the joists



Tip : to get even spacing, use blade spacers !



Step 3

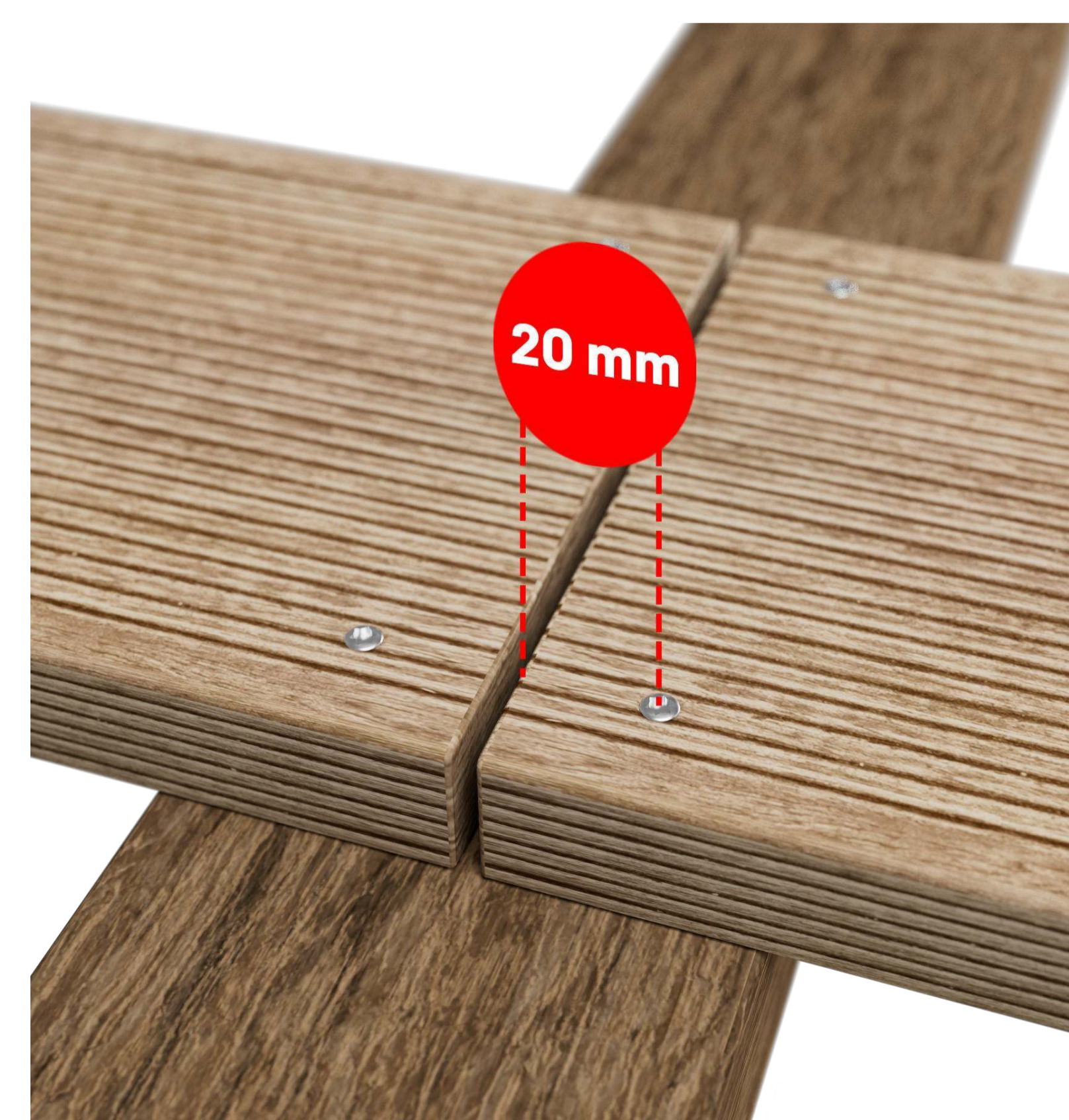
Screw the boards with special terrace screws



Screw 20 mm from the edge of the blade (widthwise)



At the end of the blade, screw 20 mm from the end



1. Side finishing

Once the installation is complete and the covering installed, all that remains is to close the side of the terrace. For this step, measure the height and make the necessary cutouts.

Step 1

Place the bank board horizontally



Step 2

Screw the board into the joist



2. Maintenance and cleaning

In order to preserve the appearance of your terrace and prevent slippage of the coating, follow the maintenance instructions described below.

Clean the floor covering

Cleaning the terrace helps eradicate the development of mold or moss and thus prevent slippage of the coating. To be carried out twice a year using a stiff broom, a water jet or a low pressure archer.

Degreasing and maintaining wood color

To permanently adjust the color and limit the natural aging of the wood appearance, apply a saturator once a year.

To recover the original color of a greyed wood, use a degreaser to remove the superficielle layer responsible for surface aging. To be repeated every 2 years.



**To discover the world of the
French brand YEED,
please visit :**

www.yeedgroup.com

