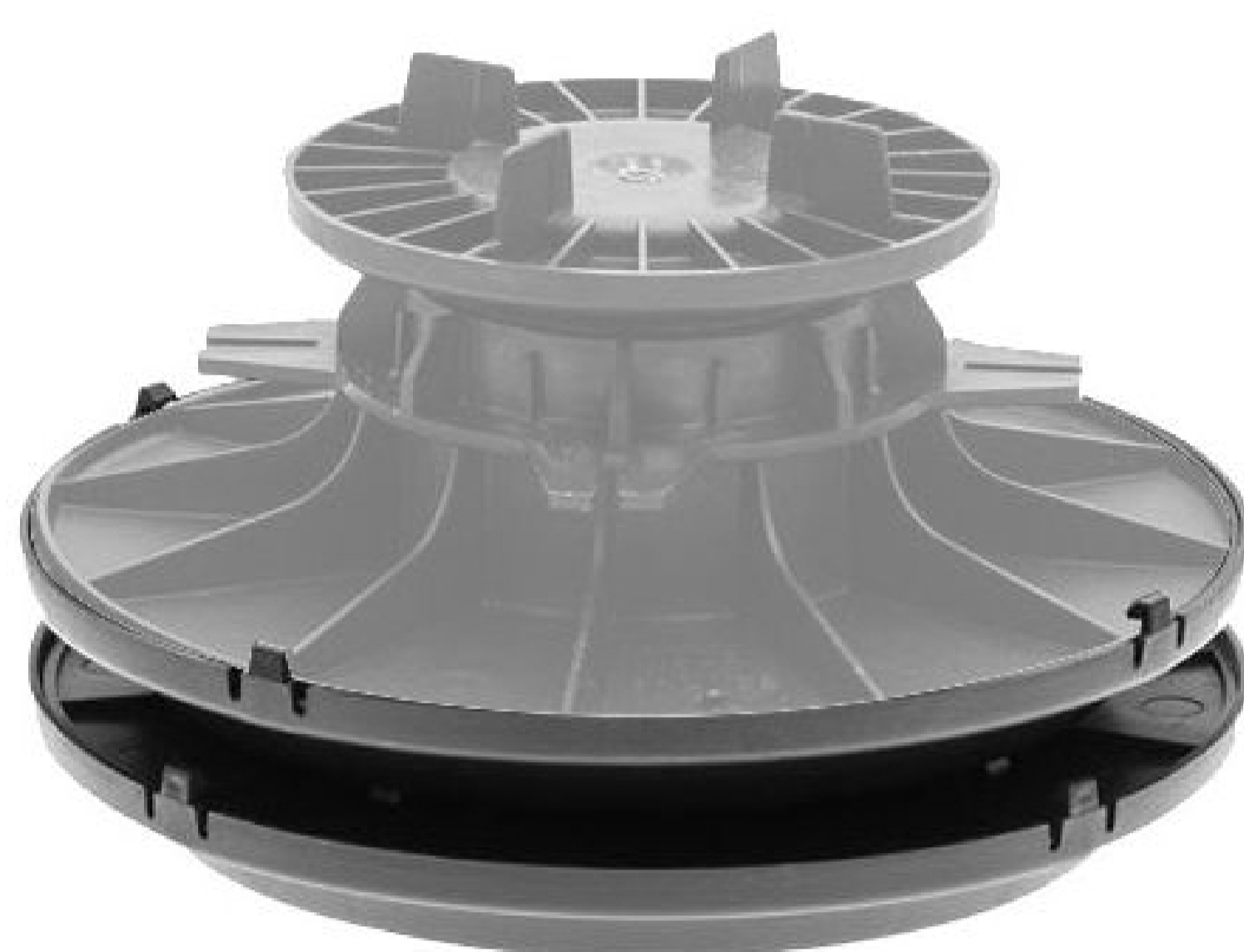


Self-leveling disc

Creates or compensates up to 5% of slope



Made In France

Application & Use

**Allows to create or compensate up to 5% of slope
Ideal for irregular terrain.**

Using the self-levelling disc adds 25 mm to the height of an adjustable pedestal. Not compatible with pedestals: 8 mm and 8/20 mm

Technical Characteristics

Composition : polypropylene (recycled and recyclable)

Color : black

Origine : France

Garantee : 10 years

Conformity : norm DTU 43.1

Use : pedestrian only

Disc diameter : 200 mm

Disc height : 25 mm

Resistance to temperatures : from -40°C to +60°C

Resistance to atmospheric agents : UV and freeze

Product Advantages

- + Allows installation on uneven or sloping ground
- + Compatible with paving and decking pedestals
- + Practical, it clips to the pedestal base

