



INSTALLATION GUIDE



FINISHING PROFILE





High-Quality
Lacquered Aluminum

Certified

COLOR



RAL 7016



RAL 1015



RAL 9006

DIMENSIONS

240cm x 10cm (height)
designed to fit 2 cm thick tiles

WEIGHT

2.9kg

THICKNESS

1.8mm +/- 0.2mm

PACKAGING

Box of 10 units
Pallet of 40 units

PRODUCT FEATURES

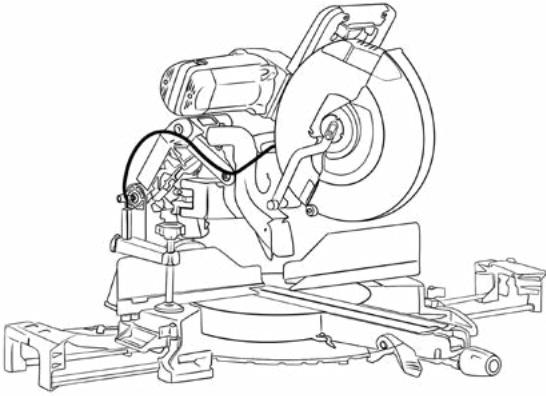
Textured finish,
resistant to
impacts
and scratches!

Qualimarine®
certification:
maximum
durability
for outdoor and
seaside use!

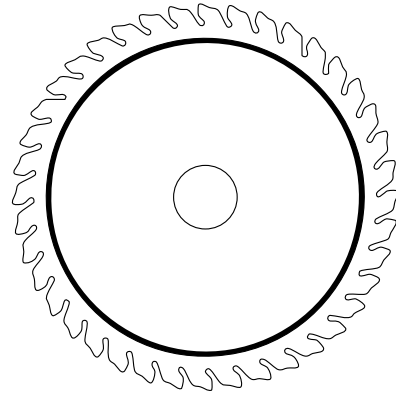
A single profile
reference - all
heights covered
with
extensions.

Compatible with
all pedestal
brands!

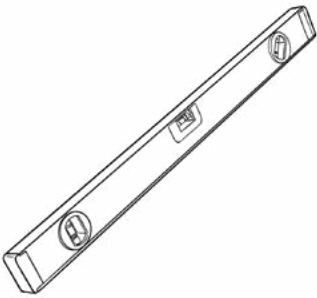
TOOLS REQUIRED



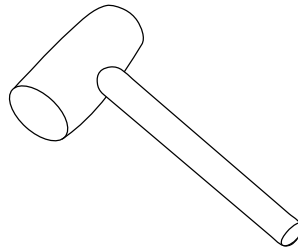
Radial miter saw



305 mm aluminum cutting blade



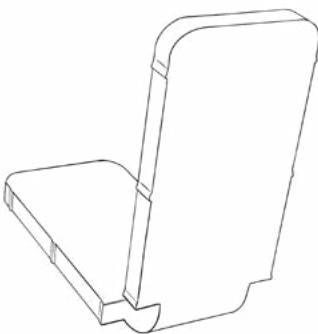
Spirit level



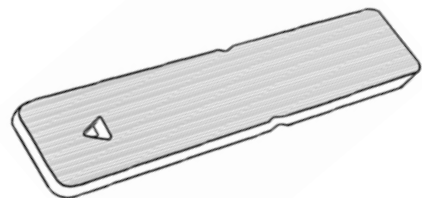
Mallet



Tube of polymer adhesive

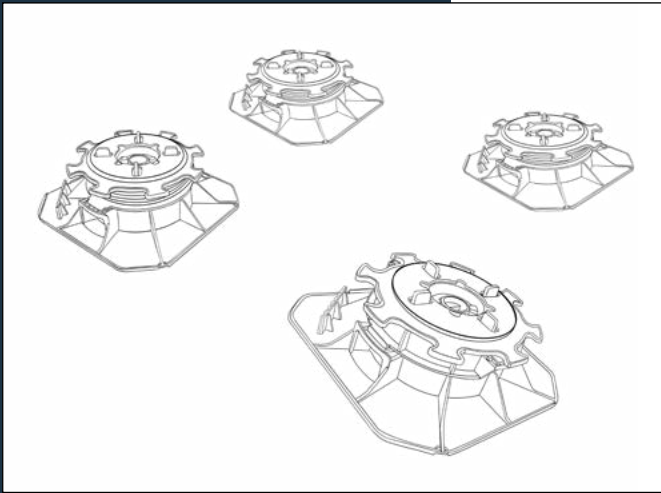


Angle connector



Straight connector

INSTALLATION STEPS



STEP 1

Prepare the installation surface

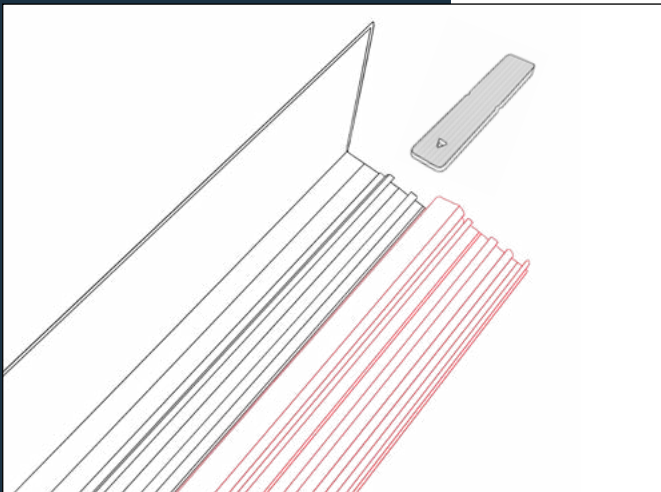
Place the pedestals on a stable and level ground, respecting the recommended spacing to ensure stability and durability.



STEP 2

Adapt the pedestal

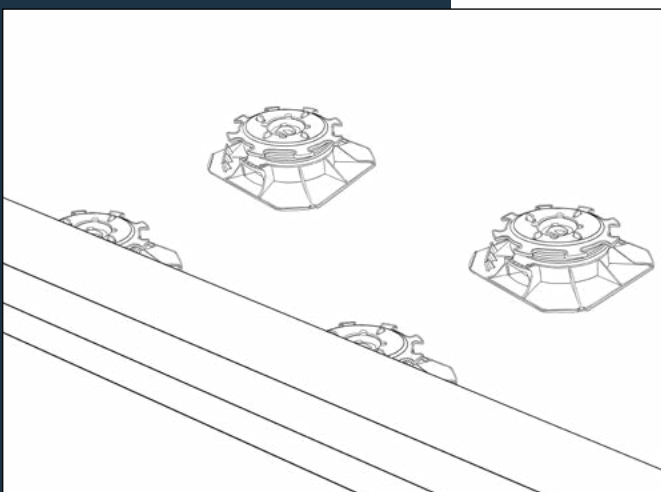
Using a mallet, break off the spacers (lug) of the pedestal concerned to allow integration of the finishing profile along the edge of the terrace.



STEP 3

Adjust the height if necessary
(Otherwise, go directly to Step 4)

Add one or more profile extensions to increase the height. Each module adds 5 cm and can be stacked to fit all configurations.

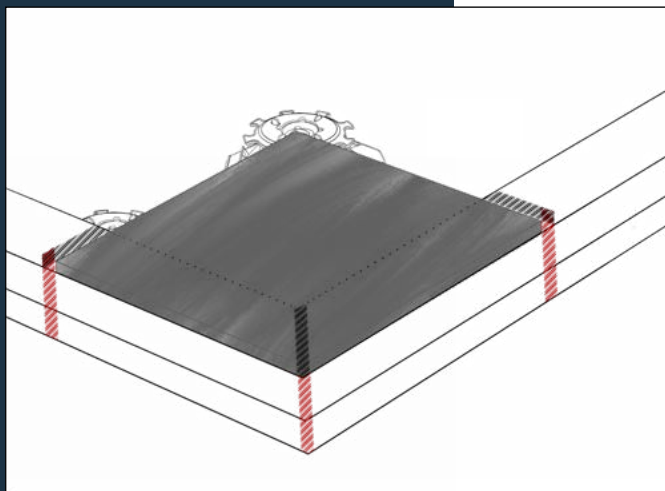


STEP 4

Install the finishing profile

Position the finishing profile at the edge of the structure, ensuring perfect alignment for an aesthetic result.

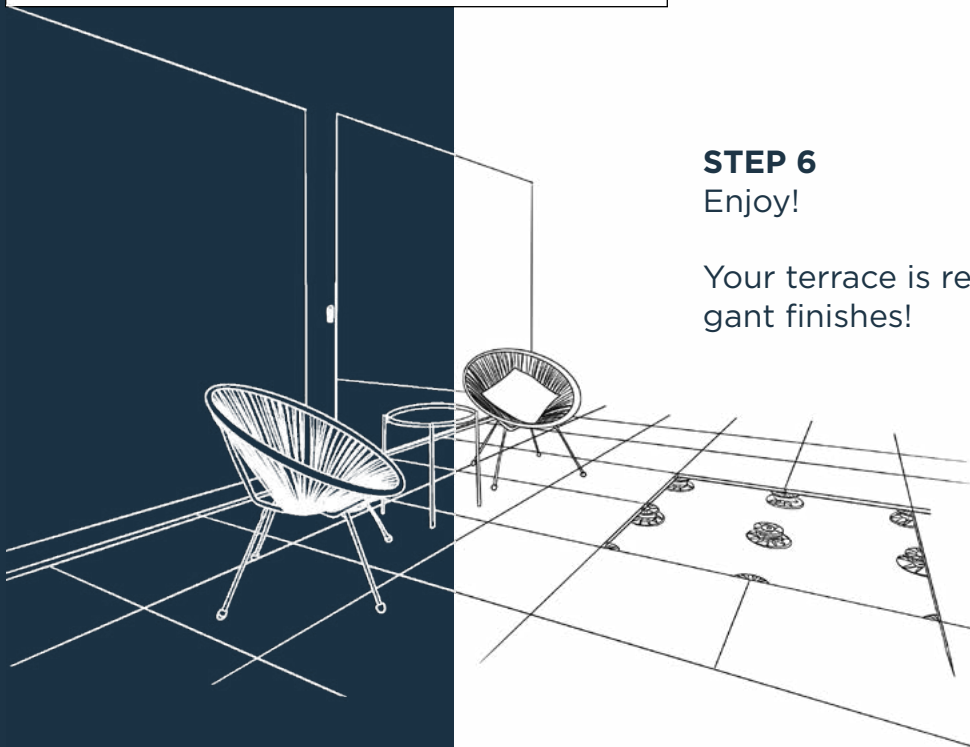
Tip: add a drop of polymer adhesive on the shock-absorber pad located on the pedestal head, and another on the profile itself.



STEP 5

Place the tile

Lay the tile on the pedestals, resting against the profile, to finalize the edge with a clean, professional finish.



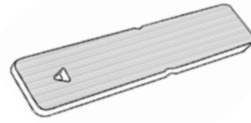
STEP 6

Enjoy!

Your terrace is ready, with durable and elegant finishes!

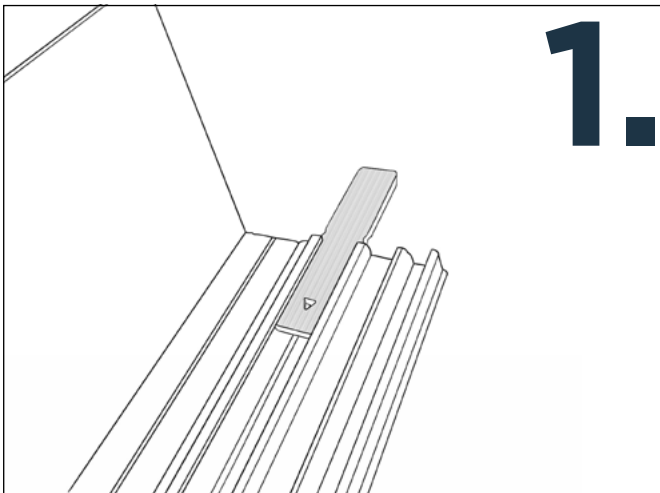
LINEAR INSTALLATION

Requirement

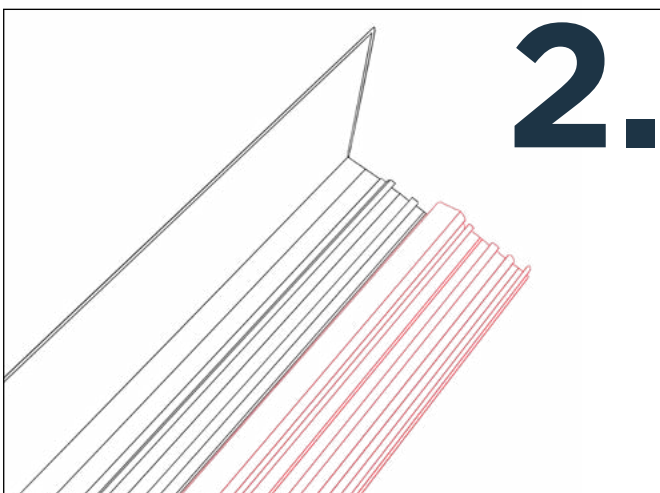


Straight connector

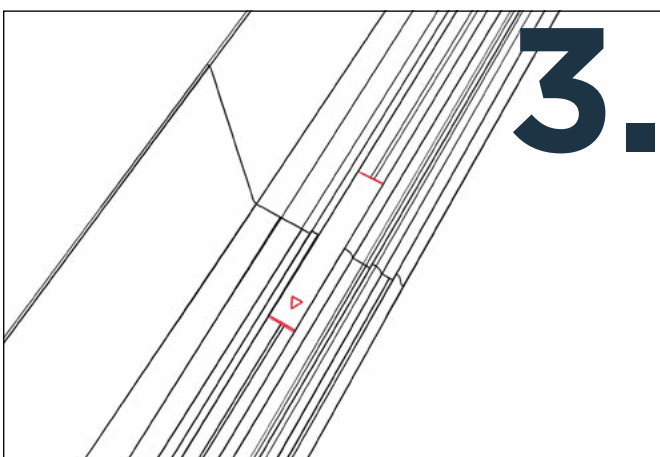
Used to connect two finishing profiles



Insert the straight connector into the slot between two profiles and gently tap with a mallet (in the direction of the arrow) until it reaches the stop mark.

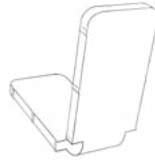


If you use one or more profile extensions, also insert a straight connector into the extensions.



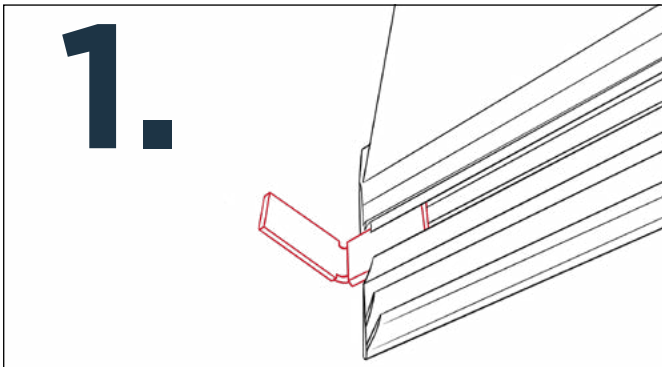
Final result: seamless continuity between both profiles.

Requirement

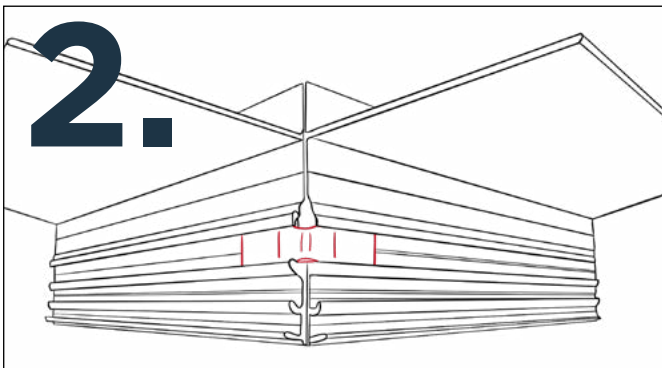


Angle connector

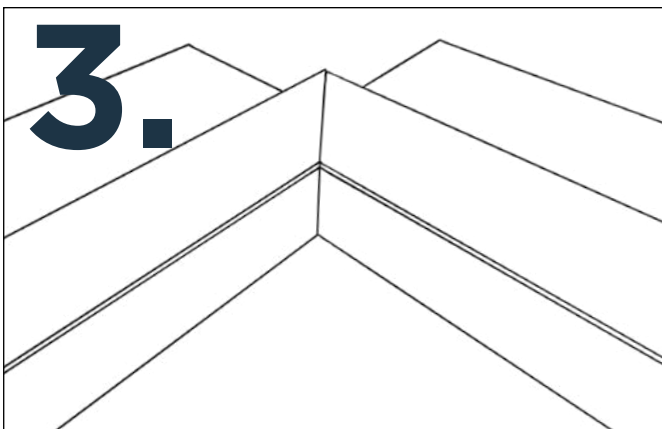
Used to create a 90° inside corner with finishing profiles



Insert the angle connector into the first profile and tap with a mallet until it reaches the stop.



Insert the second profile into the connector until it also reaches the stop.



If you use extensions, also insert straight connectors into them.

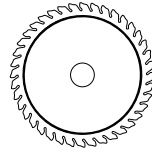
OUTSIDE CORNER INSTALLATION (90°)



Requirements

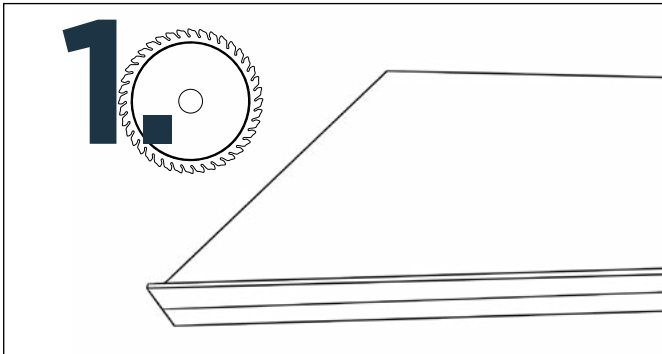


Angle connector

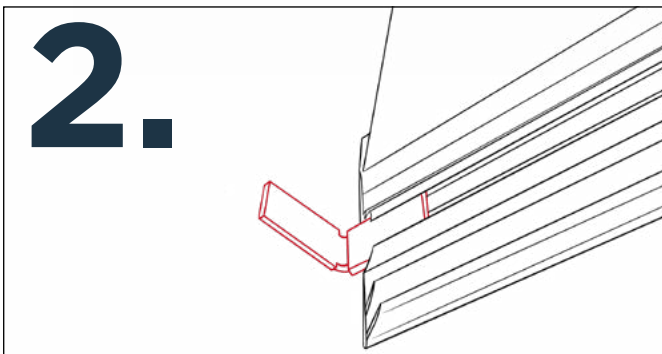


cutting tool

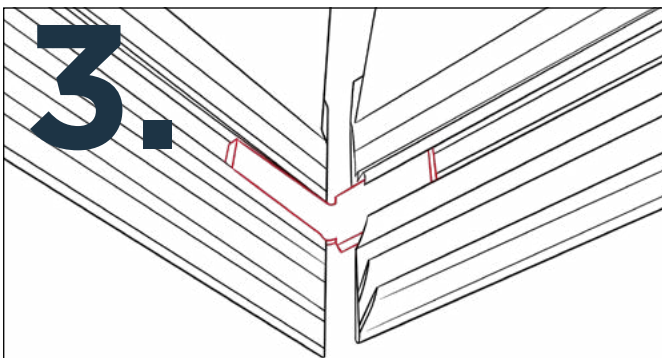
Used to create a 90° outside corner with finishing profiles



Cut the first profile at 45° using a radial miter saw (respecting the angle direction) and deburr the edges.

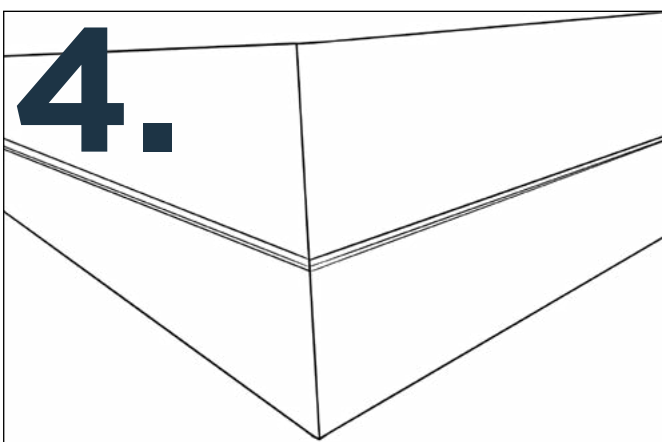


Insert the corner connector into the profile and tap with a mallet until it reaches the stop.



Cut the second profile at 45° (same direction), deburr the edges, and insert it into the connector.

If you use extensions, repeat the same process



Final result: a neat and aesthetic outside corner.